

# Instruction Manual For Electric Shoe Dryer

Model: ESD-19



Be sure to read this instruction manual before operate and keep it where safe.

Caremax Australia does not guarantee its contents and reserves the right to improve and amend it at any time without prior notice. However, amendments will be published in a new edition of this manual.

All Rights Reserved.

[ESD19-REV.V1.0@2023](#), Printed in Feb 2023.

Read the user manual carefully to make sure that the product is assembled, used and maintained correctly, as described in the instructions in user manual.

Keep the user manual for future reference.

## **QUICK START**

### **Step 1 – Choose A Good Spot**

Place your dryer in a well-ventilated room for example the utility room, laundry, garage or hallway. Make sure that the air inlet the grille at the rear of the unit is not covered. Plug the unit into the socket.

### **Step 2 – Preparing for Use**

Position the shoe holders. Firmly push the shoe holders into place.

### **Step 3 – Place the gears on the Dryer**

Place the gear over the holders. Press the power button to switch on the unit.

The default for the unit is 120 minutes drying at 50 degrees. Press the drying button to start. Once the program has finished the dryer will stop automatically.

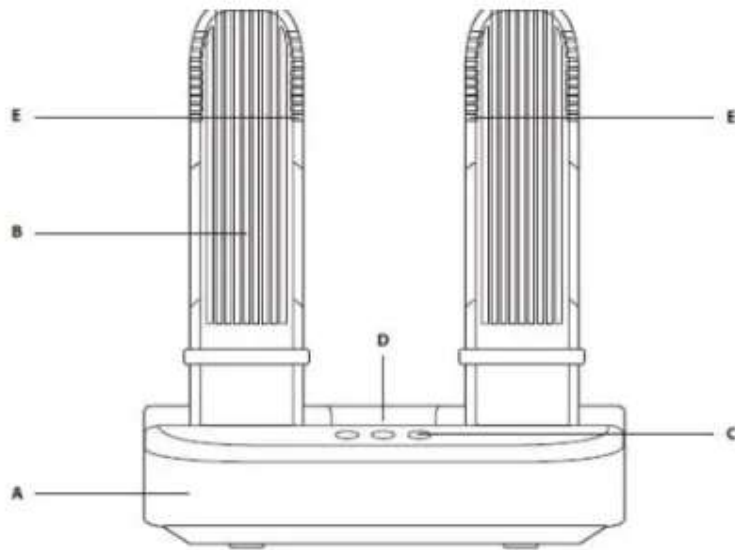
Press Ozone button for disinfection. It automatically switches off after 15 minutes.

### Technical Specifications

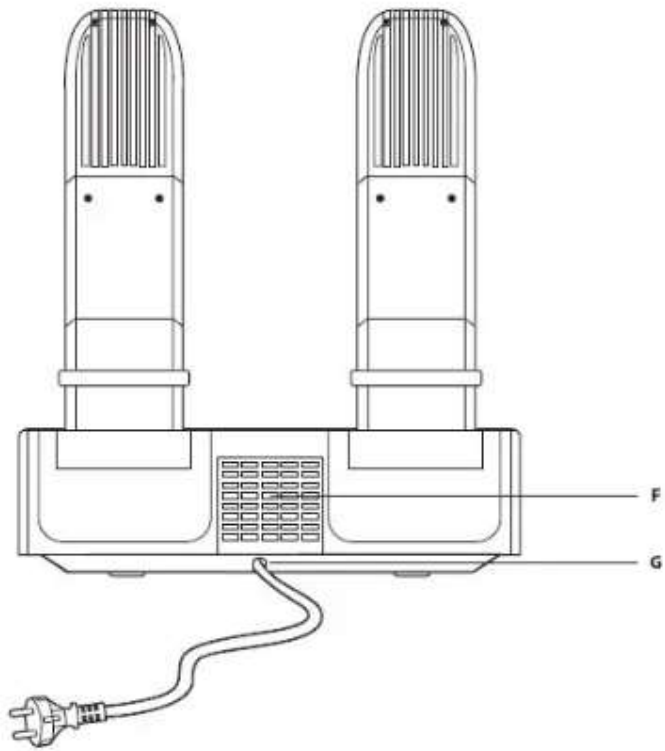
Voltage: 220V 50Hz

Power: 200W

### FRONT VIEW



### BACK VIEW



**A Base unit**

**B Shoe holders**

**C Buttons**

**D Display screen**

**F Air inlet grille**

**G Power cord**

**HOW DOES IT WORK?**

The Caremax Shoe Dryer refreshes shoes in two steps. As soon as you place your shoes on the holders, the program will start. During the first step the shoes are cleaned using Active Oxygen technology. Active Oxygen (ozone) tackles the bacteria and fungi that cause smelly shoes. During the second step the shoes are dried from the inside out. To make sure all the sweat / moisture is completely removed. Your shoes will be fresh and dry again within 30 minutes.

## USE

### **PREPARING THE DRYER FOR USE**

Remove your dryer from its packaging. In the box, you will find the base unit and two shoe holders. Unwind the power cord. Check for any packaging material that may have blocked the air inlet in the base unit. Then place the two shoe holders on the base unit.

### **CHOOSE THE RIGHT SPOT**

The dryer uses small amounts of ozone, an unstable form of oxygen. Under certain conditions, ozone can cause headaches and respiratory problems. Therefore, always place the dryer in a well-ventilated room. It is fine if this room is cold. The dryer has been constructed in such a way that it will still function perfectly, even at temperatures of up to 10 degrees below zero.

## OPERATION

## **START**

To start your dryer, press the power button to switch on the unit. You can adjust the timer using + or - button if needed. The default drying duration is 120 minutes. Press Drying button, the drying light comes on and drying process starts. You can stop the dryer by pressing the power button again.

## **AUTOMATIC SHUTDOWN**

As soon as the program is finished the dryer will shut down by itself.

## **DISINFECTATION**

When Ozone Technology is switched on, all odours, bacteria and fungi are removed.

Press the Ozone button to switch on. It automatically switches off after 15 minutes. Press Ozone button again to restart the ozone function, if necessary. If you do not want the drying process to run and you only want to deodorize your shoes, press the drying button to make sure the drying light comes off. The amount of ozone generated in the shoe dryer is limited and well within the statutory norm. Ozone returns to oxygen within a few minutes. After cleaning, no ozone remains in the shoes or in the room.

When the ozone function is on, the unit will not heat up. It heats up only after the Ozone function is switched off.

## **SET THE DRYING TIME**

Press the – button to decrease the drying time or + to increase the time.

The minimum drying time you can set is 10 minutes and the maximum time is 240 minutes.

## **TEMPERATURE**

The working temperature of the shoe dryer is 40–55°C depends on environment temperature. This automatically adjusts to the ambient temperature in order to provide gentle drying.

## **BEFORE USE READ THE FOLLOWING SAFETY INSTRUCTIONS CAREFULLY**

- Always use electrical appliances with care. Use your common sense.
- Use the dryer in a properly ventilated location and not in a room in which you are continuously working.
- The dryer uses ozone to effectively dissipate odours. Too much ozone leads to poor air quality and can cause headaches or respiratory problems.
- Place the unit on a firm surface and make sure that your dryer is always upright when in use.
- Always make sure that the air inlet grille at the rear is unobstructed.
- Do not use the dryer with a damaged cord or plug.
- If the electrical cord is damaged it must be replaced by the manufacturer or authorised service agent to avoid a hazard.
- The dryer has been designed for use in wet rooms, such as bathrooms.
- The articles that you place on the unit also contain moisture.
- Water from your shoes can drain off via drainage holes underneath the unit.
- However, in the event of a large spillage e.g. water pouring from inside a ski boots, we recommend switching off the dryer and unplugging the dryer from the socket until the water has drained out of the unit.
- Leave the unit to stand in a dry room for 24 hours. Too much water can, however, damage the dryer.
- Make sure that the dryer is never left standing in the water.



- Never submerge the dryer in water the dryer is not waterproof. Never allow children to play with the unit. Only allow children to use the dryer under adult supervision.
- Do not disassemble or repair the dryer or alter it in any way.
- This can cause injury, fire or other malfunctions.
- Only allow a qualified service agent to perform repair and maintenance work on the dryer.
- Removing any parts or attempting to service the dryer yourself will void the warranty.
- Keep the dryer away from fire, combustible gas and corrosive substances.

Manufactured for Caremax Australia by  
Le Reve Healthcare Pty Ltd AKA Caremax  
Factory 16, 634-644 Mitcham Road  
Vermont Victoria Australia  
Web: [www.caremax.com.au](http://www.caremax.com.au)  
Email: [enquiries@caremax.com.au](mailto:enquiries@caremax.com.au)